



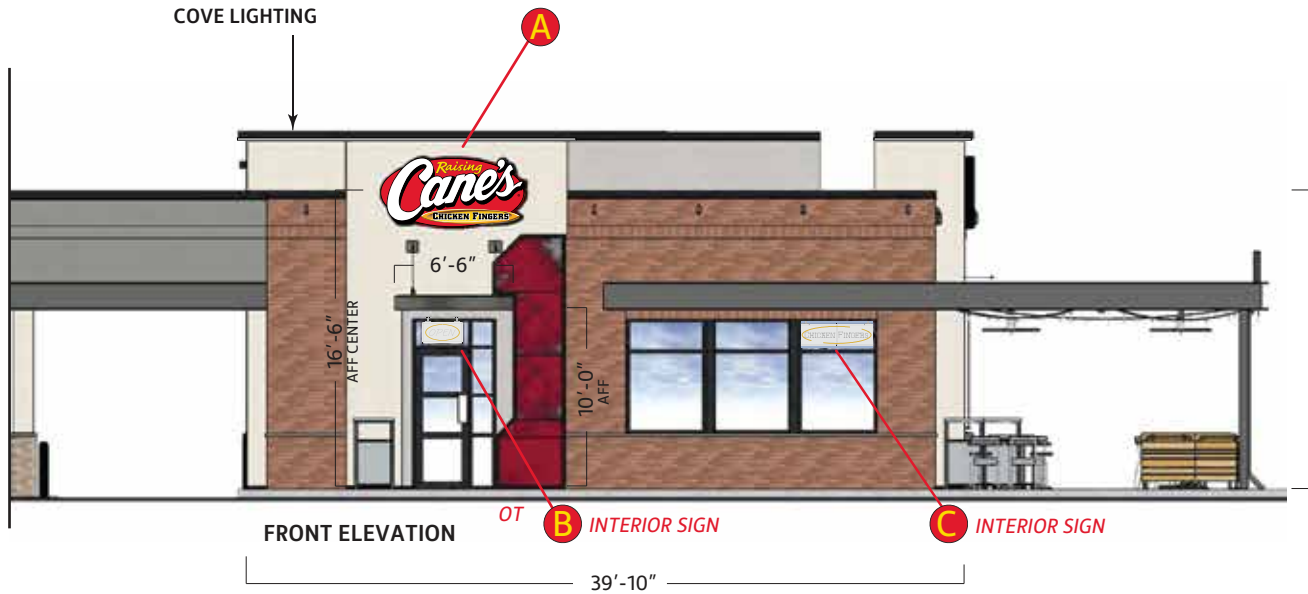
14025 Biscayne Blvd./RC1307
 North Miami Beach, FL 33181

01/29/2025

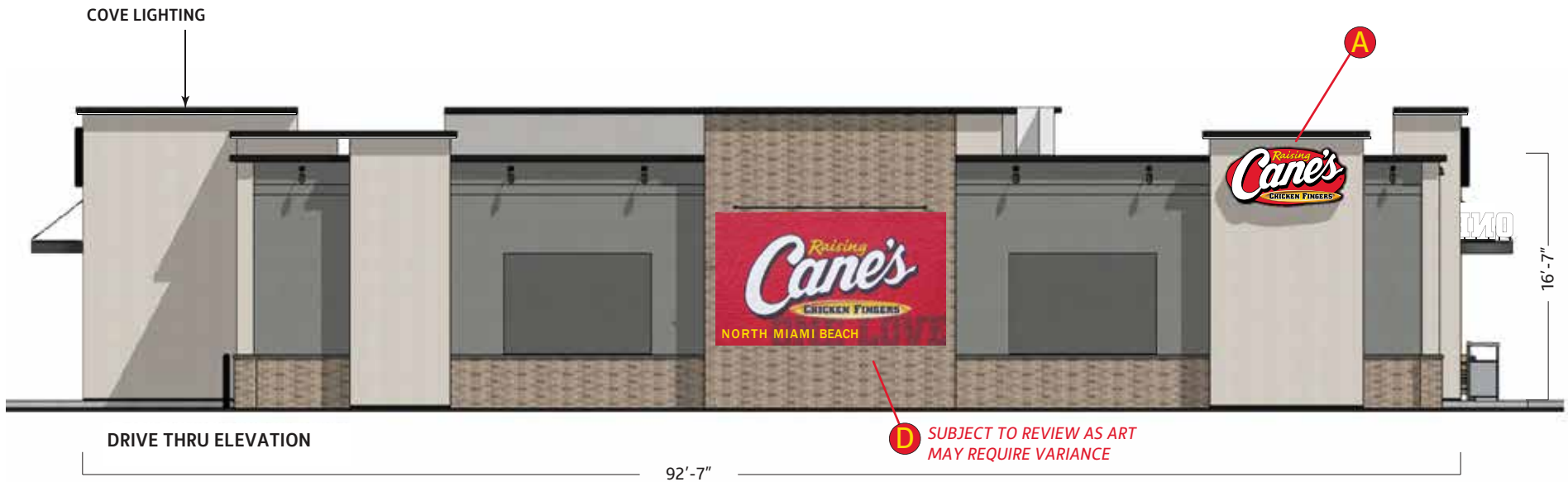
DRAWING REVISIONS	
DATE	CHANGE
10/4/24	Updated elevations & signage
10/9/24	Updated siteplan, lemonade, & PM
10/23/24	Added multi-tenant monument
01/29/25	Updated Mural

COVE LIGHTING PLACEMENTS TO BE CONFIRMED

ELEVATIONS



	QTY.	CODE	DESCRIPTION
A	4	WS-8FT	4x8 Wall Sign
B	1	ONS	Open Sign
C	1	CFNS	Chicken Fingers Neon Sign
D	1	PMRL	Painted Mural
E	1	RD-1	Red Dog
F	1	CAN	One Love Canopy Letters
G	2	DTMB	DT Menuboard
H	1	DTPS	Pre Sell Board
I	2	DTSP	Speaker Post
J	1	MTM	Multi-Tenant Monument



Scale: 3/32"=1'



Location: North Miami Beach, FL

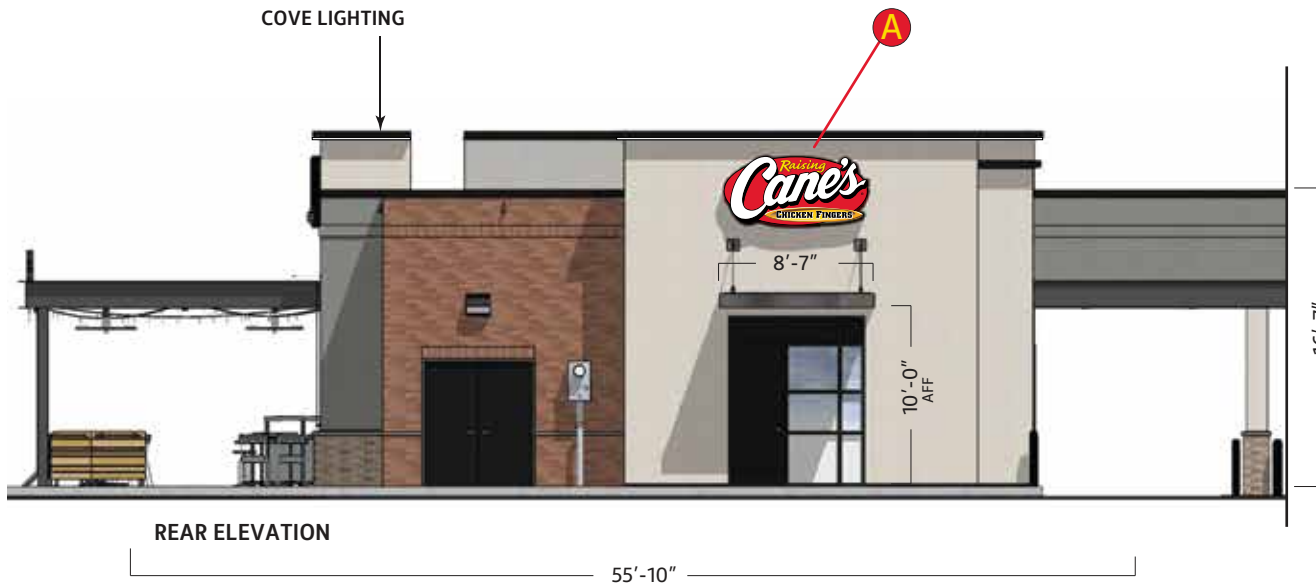
Date: 08/28/2024

Site ID: RC1307

AGI PM: Tara Smith

This document is the sole property of AGI, and all design, manufacturing, reproduction, use and sale rights regarding the same are expressly forbidden. It is submitted under a confidential relationship, for a special purpose, and the recipient, by accepting this document assumes custody and agrees that this document will not be copied or reproduced in whole or in part, nor its contents revealed in any manner or to any person except for the purpose for which it was tendered, nor any special features peculiar to this design be incorporated in other projects.





	QTY.	CODE	DESCRIPTION
A	4	WS-8FT	4x8 Wall Sign
B	1	ONS	Open Sign
C	1	CFNS	Chicken Fingers Neon Sign
D	1	PMRL	Painted Mural
E	1	RD-1	Red Dog
F	1	CAN	One Love Canopy Letters
G	2	DTMB	DT Menuboard
H	1	DTPS	Pre Sell Board
I	2	DTSP	Speaker Post
J	1	MTM	Multi-Tenant Monument



Scale: 3/32"=1'



Location: North Miami Beach, FL

Date: 08/28/2024

Site ID: RC1307

AGI PM: Tara Smith

This document is the sole property of AGI, and all design, manufacturing, reproduction, use and sale rights regarding the same are expressly forbidden. It is submitted under a confidential relationship, for a special purpose, and the recipient, by accepting this document assumes custody and agrees that this document will not be copied or reproduced in whole or in part, nor its contents revealed in any manner or to any person except for the purpose for which it was tendered, nor any special features peculiar to this design be incorporated in other projects.





Location: North Miami Beach, FL

Date: 08/28/2024

Site ID: RC1307

AGI PM: Kelly Deep

This document is the sole property of AGI, and all design, manufacturing, reproduction, use and sale rights regarding the same are expressly forbidden. It is submitted under a confidential relationship, for a special purpose, and the recipient, by accepting this document assumes custody and agrees that this document will not be copied or reproduced in whole or in part, nor its contents revealed in any manner or to any person except for the purpose for which it was tendered, nor any special features peculiar to this design be incorporated in other projects.



COPY & DROP SHADOW ARE AS FOLLOWS: 'RAISING' IS FIRST SURFACE APPLIED TRANSLUCENT VINYL 3M #3630-015 'YELLOW', DROP SHADOW IS FIRST SURFACE APPLIED TRANSLUCENT VINYL 3M #3630-53 'CARDINAL RED'

BORDER IS PAINTED 'BLACK'
BACKGROUND IS SURFACE APPLIED TRANSLUCENT VINYL 3M #3630-73 'RED'

.150" THERMO FORMED CLEAR POLYCARBONATE FACE REGISTER MARK IS PAINTED 'BLACK'

DOUBLE EMBOSSED LETTERS ARE PAINTED SECOND SURFACE 'WHITE'

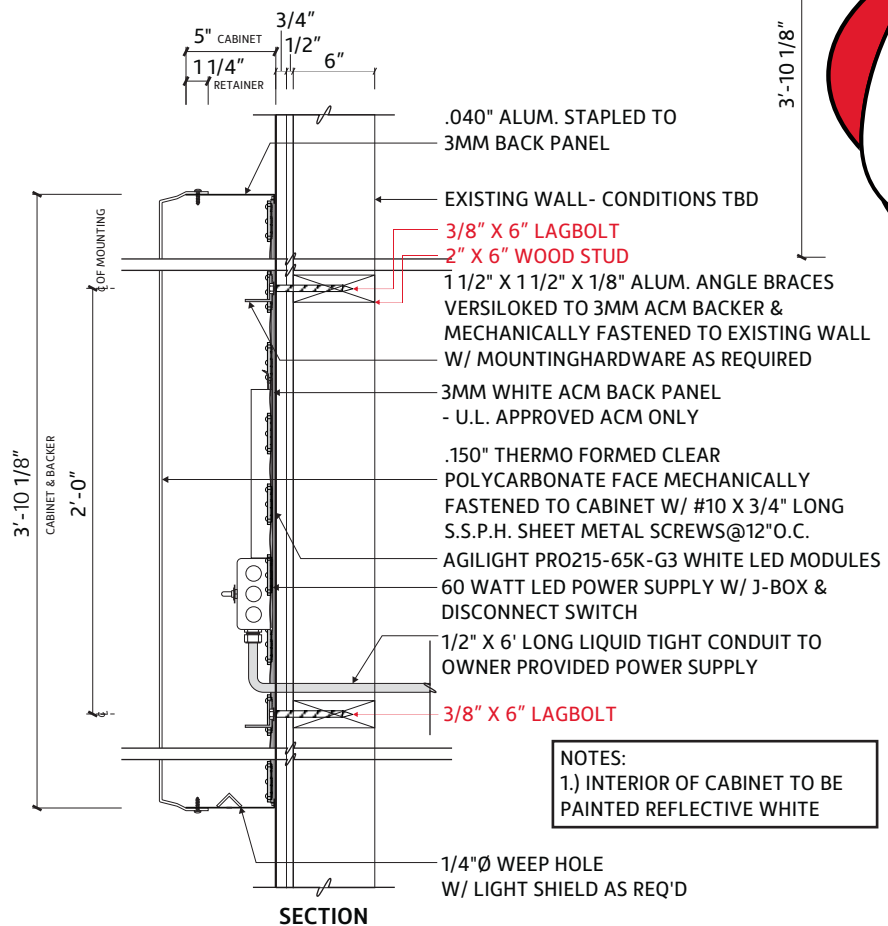
EMBOSS AROUND LETTERS IS PAINTED SECOND SURFACE 'BLACK'

EMBOSSED SURFBOARD IS AS FOLLOWS:
-SIDES ARE PAINTED TO MATCH PANTONE #109C 'YELLOW'
-GRAPHICS ARE SECOND SURFACE APPLIED DIGITAL PRINT



FRONT ELEVATION

30.75
Square Footage



NOTES:
1.) INTERIOR OF CABINET TO BE PAINTED REFLECTIVE WHITE

ELECTRICAL DATA	
VOLTAGE	120
AMPERAGE	1.8

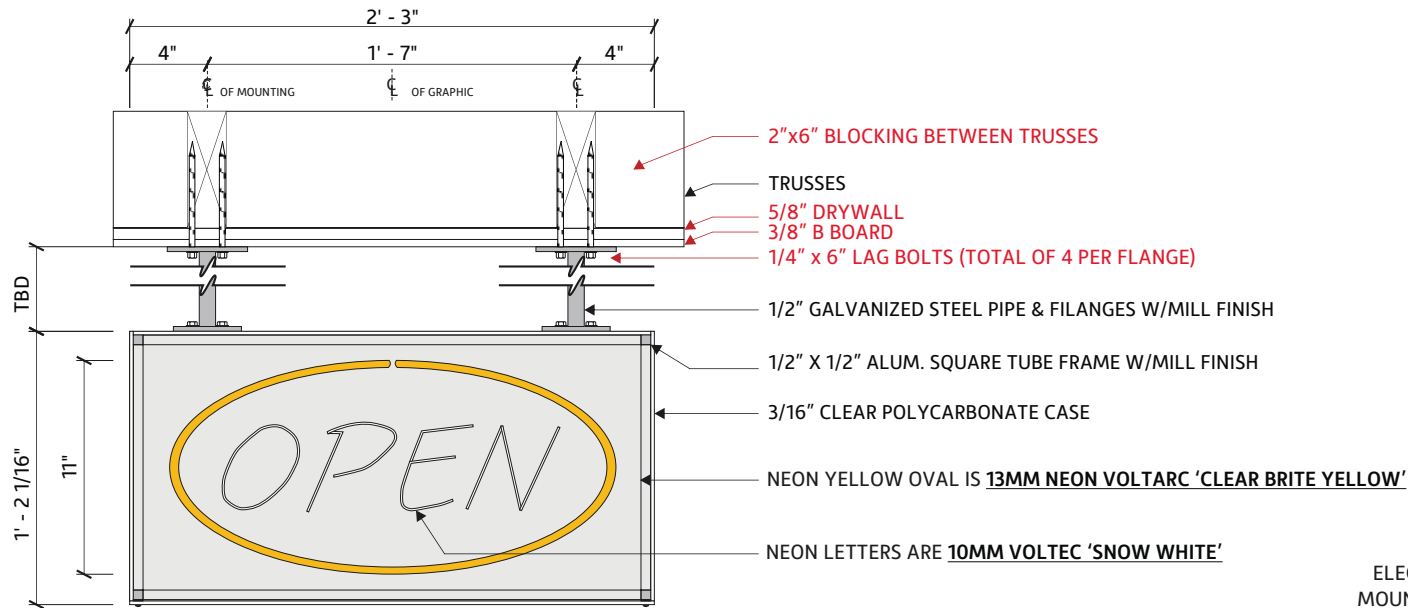
COLOR CHART	
	3M #3630-15 'YELLOW'
	3M #3630-73 'RED'
	3M #3630-53 'CARDINAL RED'



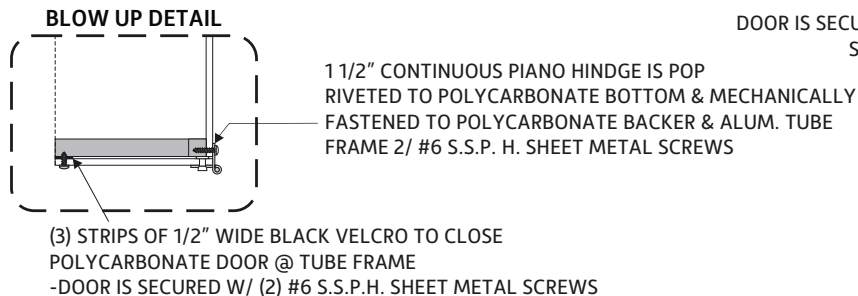
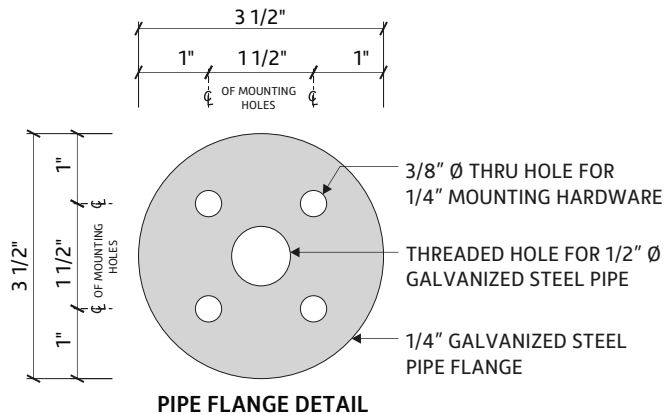
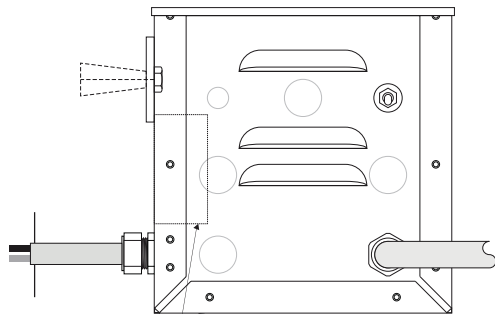
Location: North Miami Beach, FL Date: 08/28/2024
Site ID: RC1307 AGI PM: Tara Smith

This document is the sole property of AGI, and all design, manufacturing, reproduction, use and sale rights regarding the same are expressly forbidden. It is submitted under a confidential relationship, for a special purpose, and the recipient, by accepting this document assumes custody and agrees that this document will not be copied or reproduced in whole or in part, nor its contents revealed in any manner or to any person except for the purpose for which it was tendered, nor any special features peculiar to this design be incorporated in other projects.

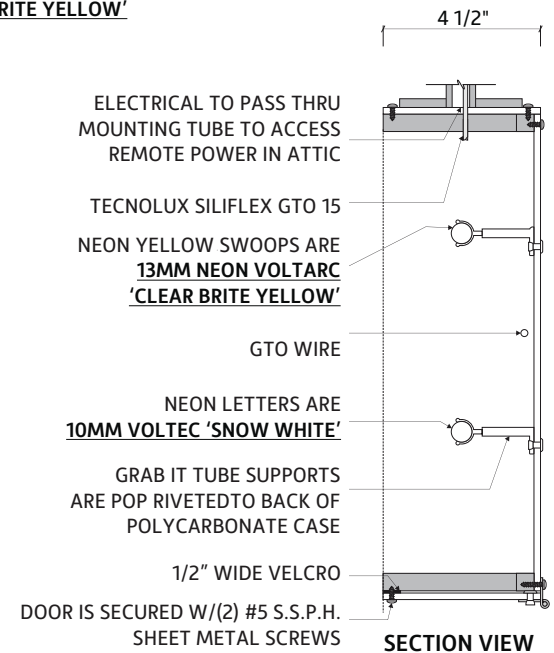
B



NOTES:
 1.) TRANSFORMER IS MOUNTED REMOTELY
 2.) CONNECT 14 GA GROUND WIRE TO EACH MOUNTING FLANGE & TO GROUND LUG PROVIDED BY TRANSFORMER.
 -CONNECT TRANSFORMER GROUND TO SERVICE GROUND AT PANEL BOX



CUTSHEET
ONS (H)
INTERIOR SIGN
PIPE LENGTH TO BE VERIFIED



ELECTRICAL DATA	
VOLTAGE	120
AMPERAGE	2.1



Location: North Miami Beach, FL

Date: 08/28/2024

Site ID: RC1307

AGI PM: Tara Smith

This document is the sole property of AGI, and all design, manufacturing, reproduction, use and sale rights regarding the same are expressly forbidden. It is submitted under a confidential relationship, for a special purpose, and the recipient, by accepting this document assumes custody and agrees that this document will not be copied or reproduced in whole or in part, nor its contents revealed in any manner or to any person except for the purpose for which it was tendered, nor any special features peculiar to this design be incorporated in other projects.

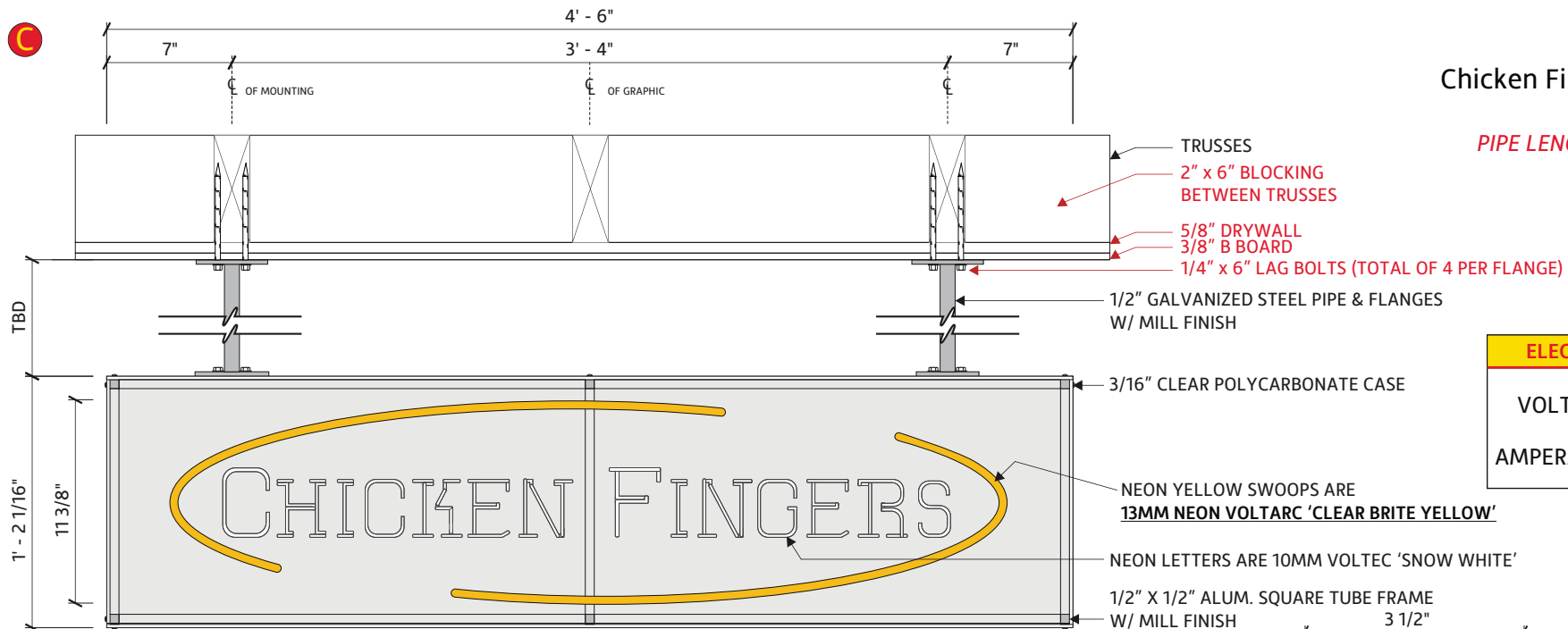




CUTSHEET

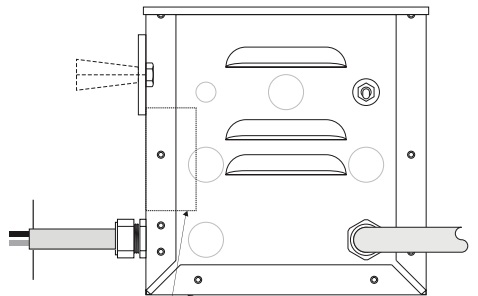
Chicken Fingers Neon Sign

INTERIOR SIGN
PIPE LENGTH TO BE VERIFIED



ELECTRICAL DATA	
VOLTAGE	120
AMPERAGE	2.1

NOTES:
1.) TRANSFORMER IS MOUNTED REMOTELY IN ATTIC. TRANSFORMERS ARE TO BE ELECTRONIC.



LIGHTING COMPONENTS
LC-2-12-3-C (2,000-12,000V 30 MA)
MOUNTED IN REMOTE TRANSFORMER BOX

FRONT VIEW

ELECTRICAL TO PASS THRU MOUNTING TUBE TO ACCESS REMOTE POWER IN ATTIC

TECNOLUX SILIFLEX GTO 15
NEON YELLOW SWOOPS ARE 13MM NEON VOLTARC 'CLEAR BRITE YELLOW'

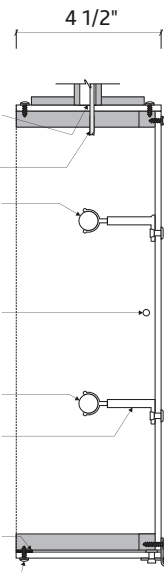
GTO WIRE

NEON LETTERS ARE 10MM VOLTEC 'SNOW WHITE'

GRAB IT TUBE SUPPORTS ARE POP RIVETED TO BACK OF POLYCARBONATE CASE

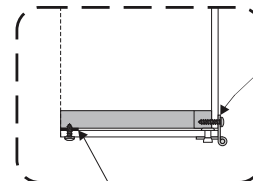
1/2" WIDE VELCRO

DOOR IS SECURED W/ (2) #5 S.S.P.H. SHEET METAL SCREWS

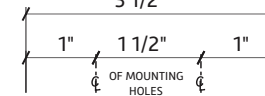


SECTION VIEW

BLOW UP DETAIL



1 1/2" CONTINUOUS PIANO HINGE IS POP RIVETED TO POLYCARBONATE BOTTOM & MECHANICALLY FASTENED TO POLYCARBONATE BACKER & ALUM. TUBE FRAME 2/ #6 S.S.P. H. SHEET METAL SCREWS
(3) STRIPS OF 1/2" WIDE BLACK VELCRO TO CLOSE POLYCARBONATE DOOR @ TUBE FRAME
-DOOR IS SECURED W/ (2) #6 S.S.P.H. SHEET METAL SCREWS



PIPE FLANGE DETAIL

3/8" Ø THRU HOLE FOR 1/4" MOUNTING HARDWARE
THREADED HOLE FOR 1/2" Ø GALVANIZED STEEL PIPE
1/4" GALVANIZED STEEL PIPE FLANGE



Location: North Miami Beach, FL

Date: 08/28/2024

Site ID: RC1307

AGI PM: Tara Smith

This document is the sole property of AGI, and all design, manufacturing, reproduction, use and sale rights regarding the same are expressly forbidden. It is submitted under a confidential relationship, for a special purpose, and the recipient, by accepting this document assumes custody and agrees that this document will not be copied or reproduced in whole or in part, nor its contents revealed in any manner or to any person except for the purpose for which it was tendered, nor any special features peculiar to this design be incorporated in other projects.



D

CUTSHEET

PMRL (0915)

*SUBJECT TO REVIEW AS ART
MAY REQUIRE VARIANCE*

15'-6"

9'-0"



FOR ARTIST RENDERING USE ONLY
MURAL PROVIDED BY OTHER VENDOR



Location: North Miami Beach, FL

Date: 08/28/2024

Site ID: RC1307

AGI PM: Tara Smith

This document is the sole property of AGI, and all design, manufacturing, reproduction, use and sale rights regarding the same are expressly forbidden. It is submitted under a confidential relationship, for a special purpose, and the recipient, by accepting this document assumes custody and agrees that this document will not be copied or reproduced in whole or in part, nor its contents revealed in any manner or to any person except for the purpose for which it was tendered, nor any special features peculiar to this design be incorporated in other projects.

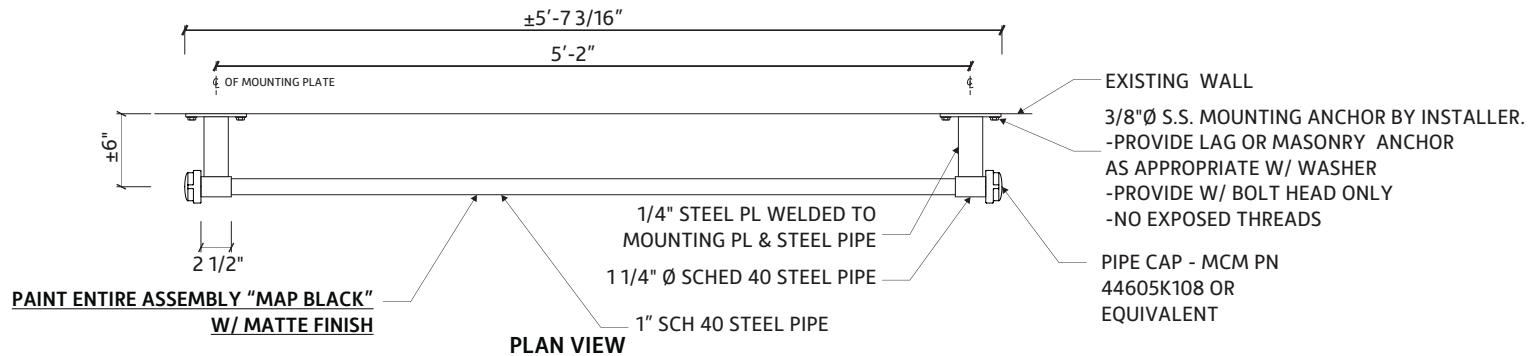
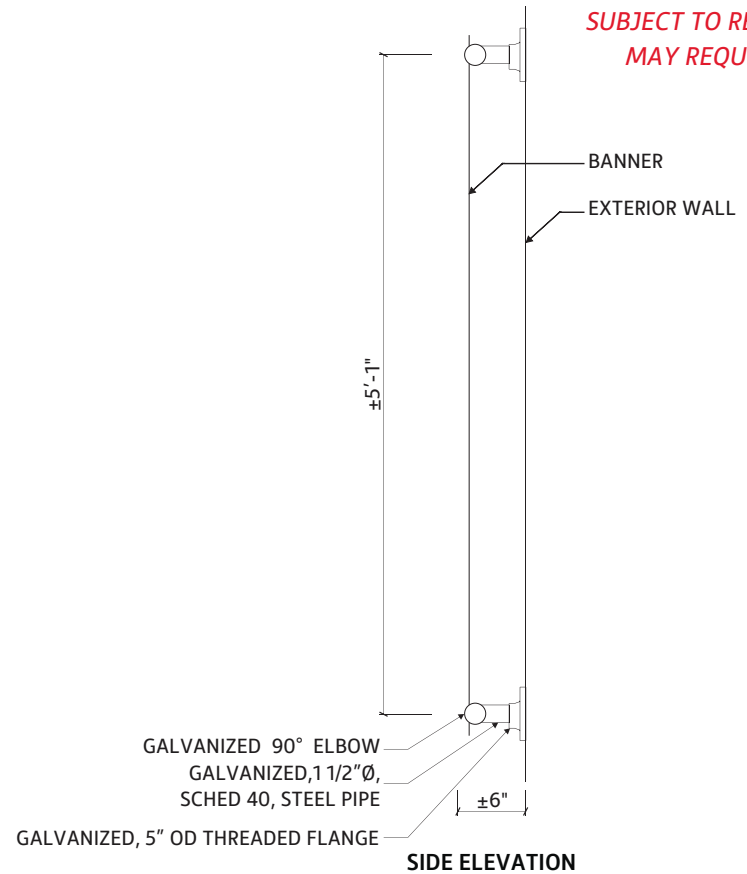


E

CUTSHEET

Red Dog

*SUBJECT TO REVIEW AS ART
MAY REQUIRE VARIANCE*



Location: North Miami Beach, FL

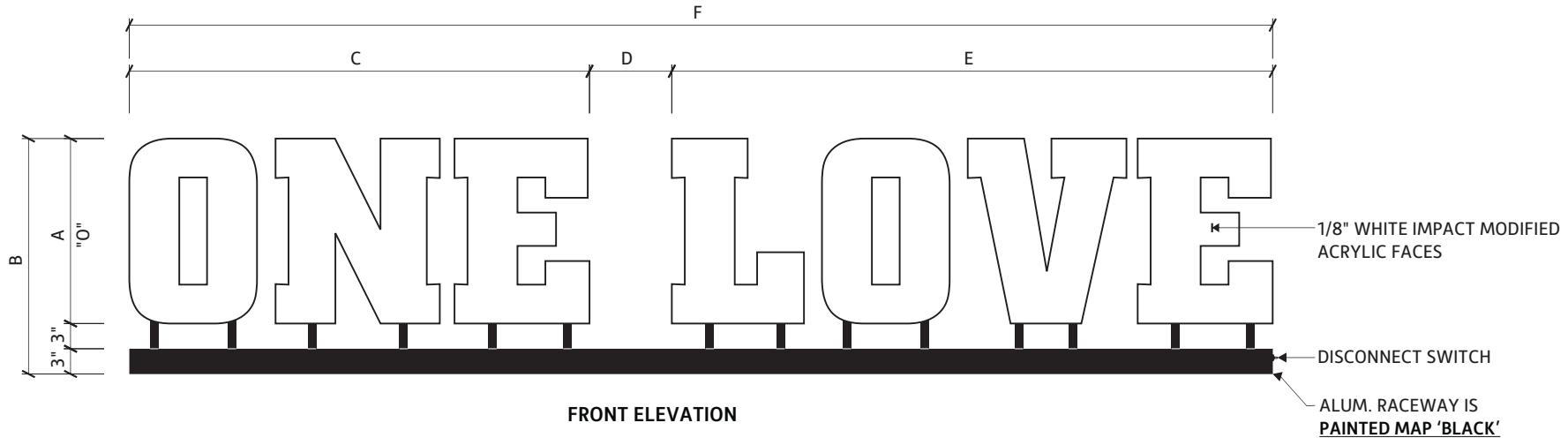
Date: 08/28/2024

Site ID: RC1307

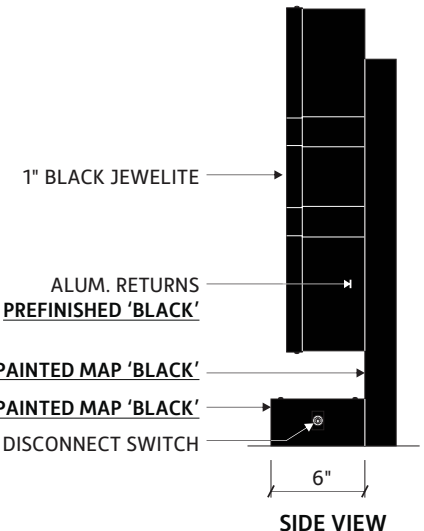
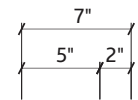
AGI PM: Tara Smith

This document is the sole property of AGI, and all design, manufacturing, reproduction, use and sale rights regarding the same are expressly forbidden. It is submitted under a confidential relationship, for a special purpose, and the recipient, by accepting this document assumes custody and agrees that this document will not be copied or reproduced in whole or in part, nor its contents revealed in any manner or to any person except for the purpose for which it was tendered, nor any special features peculiar to this design be incorporated in other projects.





SIGN SIZE	A	B	C	D	E	F	SF
OL-16	16"	±1'-10 9/16"	±3'-3 13/16"	±7 1/8"	±4'-4"	±8'-3"	11.22
OL-18	18"	2'-0"	±3'-8 13/16"	±8"	±4'-10 1/2"	±9'-3 3/8"	14.75
OL-20	20"	2'-2"	±4'-1 13/16"	±8 15/16"	±5'-5"	±10'-3 3/8"	17.57
OL-22	22"	2'-4"	±4'-6 3/4"	±9 13/16"	±5'-11 1/2"	±11'-4 1/8"	21.31



SUPPORT TUBES ARE **PAINTED MAP 'BLACK'**
 ALUM. RACEWAY IS **PAINTED MAP 'BLACK'**
 DISCONNECT SWITCH



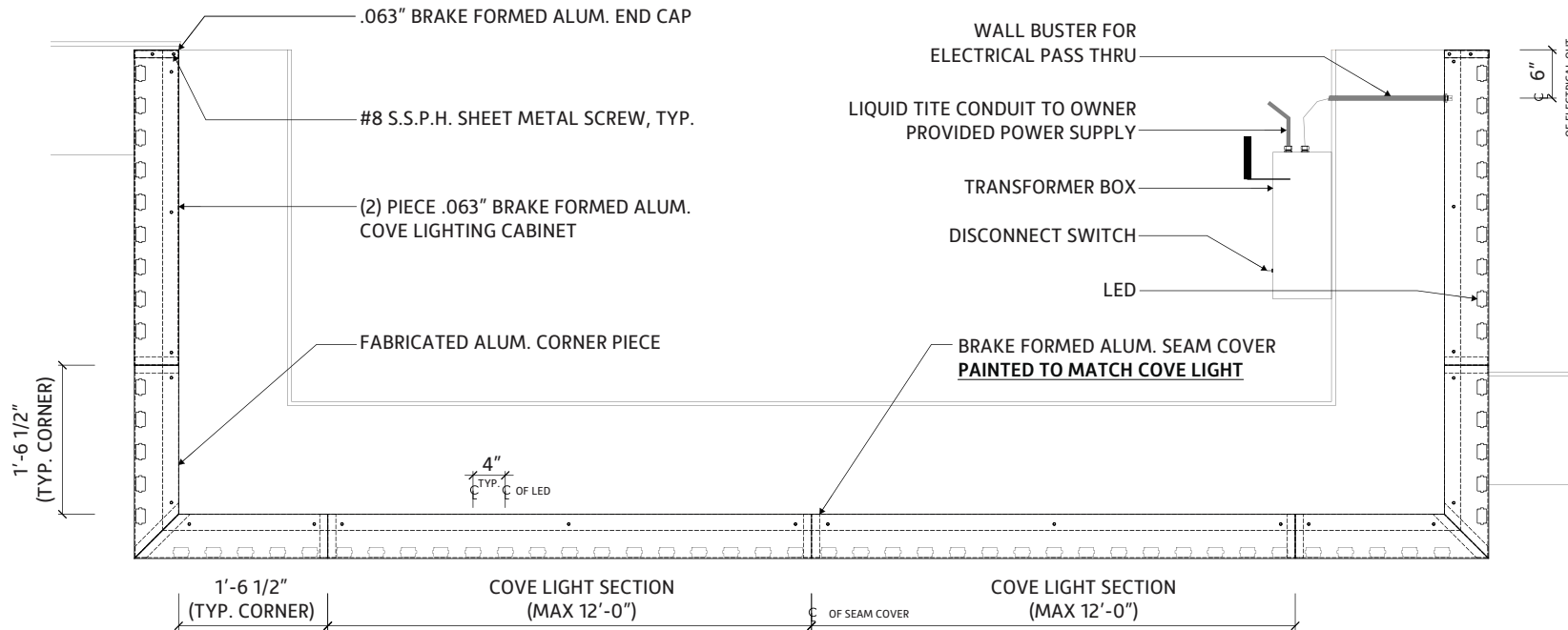
Location: North Miami Beach, FL
 Site ID: RC1307

Date: 08/28/2024
 AGI PM: Tara Smith

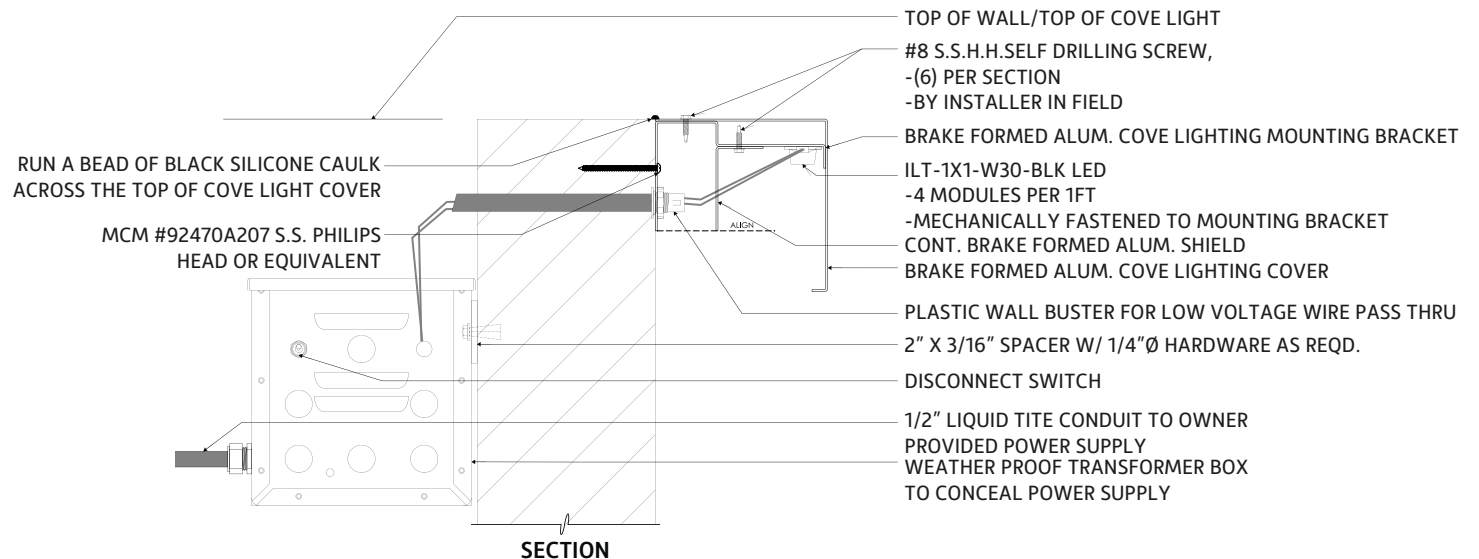
This document is the sole property of AGI, and all design, manufacturing, reproduction, use and sale rights regarding the same are expressly forbidden. It is submitted under a confidential relationship, for a special purpose, and the recipient, by accepting this document assumes custody and agrees that this document will not be copied or reproduced in whole or in part, nor its contents revealed in any manner or to any person except for the purpose for which it was tendered, nor any special features peculiar to this design be incorporated in other projects.

CUTSHEET

Cove Lighting ILT



STRUCTURAL PLAN VIEW



SECTION



Location: North Miami Beach, FL

Date: 08/28/2024

Site ID: RC1307

AGI PM: Tara Smith

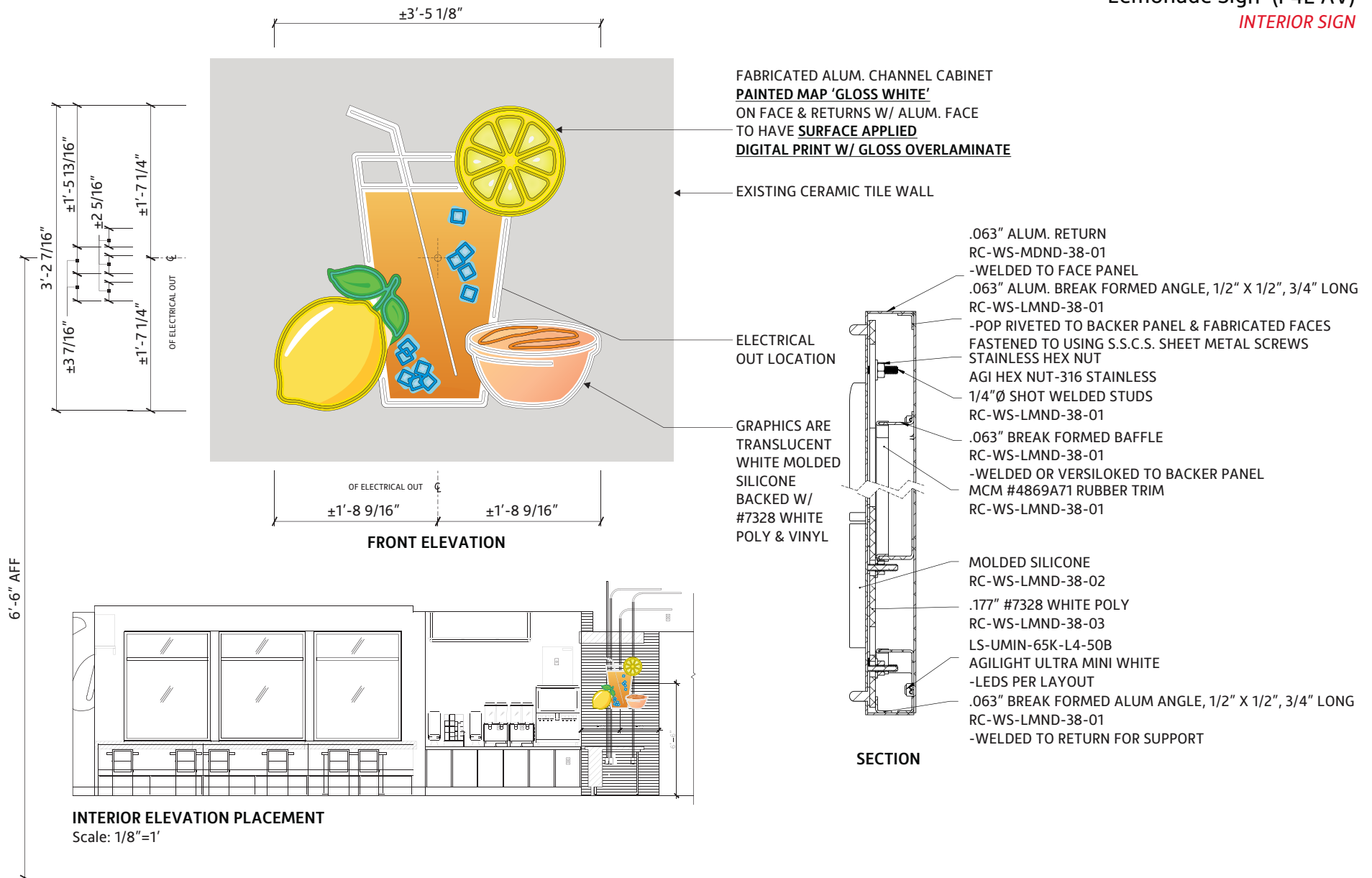
This document is the sole property of AGI, and all design, manufacturing, reproduction, use and sale rights regarding the same are expressly forbidden. It is submitted under a confidential relationship, for a special purpose, and the recipient, by accepting this document assumes custody and agrees that this document will not be copied or reproduced in whole or in part, nor its contents revealed in any manner or to any person except for the purpose for which it was tendered, nor any special features peculiar to this design be incorporated in other projects.



CUTSHEET

Lemonade Sign (P4E AV)

INTERIOR SIGN



Location: North Miami Beach, FL

Date: 08/28/2024

Site ID: RC1307

AGI PM: Tara Smith

This document is the sole property of AGI, and all design, manufacturing, reproduction, use and sale rights regarding the same are expressly forbidden. It is submitted under a confidential relationship, for a special purpose, and the recipient, by accepting this document assumes custody and agrees that this document will not be copied or reproduced in whole or in part, nor its contents revealed in any manner or to any person except for the purpose for which it was tendered, nor any special features peculiar to this design be incorporated in other projects.





Location: North Miami Beach, FL

Date: 08/28/2024

Site ID: RC1307

AGI PM: Tara Smith

This document is the sole property of AGI, and all design, manufacturing, reproduction, use and sale rights regarding the same are expressly forbidden. It is submitted under a confidential relationship, for a special purpose, and the recipient, by accepting this document assumes custody and agrees that this document will not be copied or reproduced in whole or in part, nor its contents revealed in any manner or to any person except for the purpose for which it was tendered, nor any special features peculiar to this design be incorporated in other projects.





8.31
Square Footage



Location: North Miami Beach, FL

Date: 08/28/2024

Site ID: RC1307

AGI PM: Tara Smith

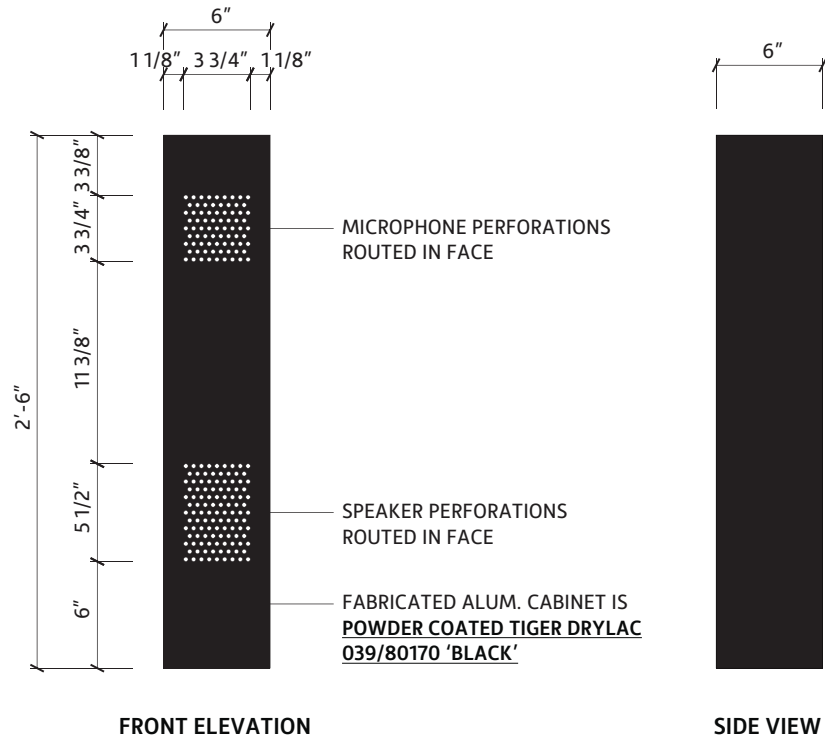
This document is the sole property of AGI, and all design, manufacturing, reproduction, use and sale rights regarding the same are expressly forbidden. It is submitted under a confidential relationship, for a special purpose, and the recipient, by accepting this document assumes custody and agrees that this document will not be copied or reproduced in whole or in part, nor its contents revealed in any manner or to any person except for the purpose for which it was tendered, nor any special features peculiar to this design be incorporated in other projects.





CUTSHEET

Speaker Post



Location: North Miami Beach, FL

Date: 08/28/2024

Site ID: RC1307

AGI PM: Tara Smith

This document is the sole property of AGI, and all design, manufacturing, reproduction, use and sale rights regarding the same are expressly forbidden. It is submitted under a confidential relationship, for a special purpose, and the recipient, by accepting this document assumes custody and agrees that this document will not be copied or reproduced in whole or in part, nor its contents revealed in any manner or to any person except for the purpose for which it was tendered, nor any special features peculiar to this design be incorporated in other projects.

