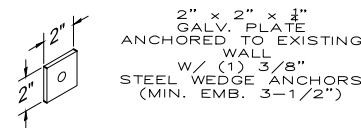
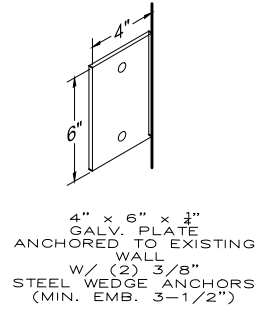
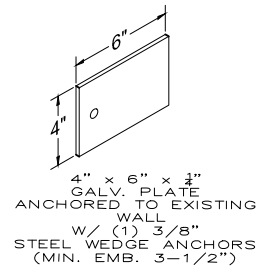
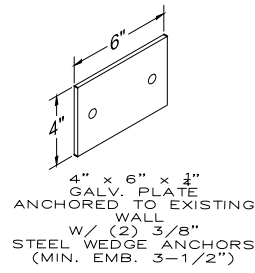


DETAIL A

DETAIL A1

DETAIL B

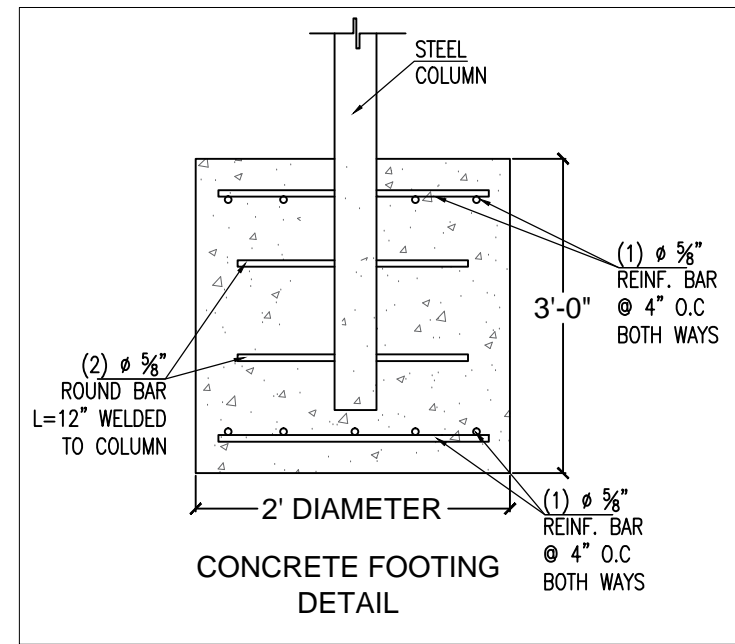
DETAIL C



THIS FABRIC-COVERED STRUCTURE MUST BE DESIGNED WITH A QUICK REMOVAL OR BREAKAWAY FABRIC AT WIND VELOCITIES EQUAL OR GREATER THAN 75 MPH ACCORDING TO FBC 3105.4.2.1 PROVIDE PERMANENT LABEL

NOTE: CONTRACTOR TO FIELD VERIFY ALL DIMENSIONS PRIOR TO FABRICATION.

ALL PIPE TO BE 1-1/4"Ø SCH. 40 U.N.O.



GENERAL NOTES:

- ALL STRUCTURAL PIPES TO BE SCH. 40 STEEL A500 GRC-Fy=50 ksi
- ALL STRUCTURAL STEEL PLATES TO BE STEEL A-36 - Fy= 36 ksi
- ALL CONNECTIONS TO BE FULLY WELDED 3/16"-E7018
- ALL WELDS COVERED WITH CORROSION RESISTANCE COATING.
- V=105 mph - Exposure : "D"; L.L= 5PSF; D.L= 5 PSF
- ALL STRUCTURES DESIGNED IN ACCORDANCE WITH: F.B.C 2020 A.S.C.E 7-16 A.I.S.C 14th EDITION
- NOTIFY ENGINEER OF ANY ERRORS / OMISSIONS FOUND OR IF ANY PART OF THE DRAWINGS IS NOT UNDERSTOOD.
- CANVAS MUST BE REMOVED WHEN A HURRICANE WARNING IS ISSUED (FBC 3105.4.2.1)
- FABRIC TO MEET CURRENT NFPA-701 FIRE CODE.
- AFTER VISUAL INSPECTIONS SOIL CONDITIONS AT THE SITE ARE SAND AND ROCK WITH MINIMUM SOIL BEARING CAPACITY 2000 psf.
- CRITICAL GRAVITY BEARING LOAD < 2000 psf

REVISIONS	BY
11/11/2022	

BISCAYNE AWNING & SHADE CO., INC.
2333 NW 8TH AVENUE
MIAMI, FL 33127

JOB SITE ADDRESS:
2811 NE 164 STREET UNIT 1
NORTH MIAMI BEACH FL 33160

SHEET DESCRIPTION
ISOMETRIC

SHEET: 21 of 1

